








VRTÁKY A ZÁHLUBNÍKY
DRILLS
AND COUNTERSINKS
BOHRER UND SENKER
СВЁРЛА И ШЕНКЕРА



BUČOVICE
TOOLS a.s.

KUŽELOVÉ VRTACÍ TRNY CONICAL PEELING DRILLS SCHÄLAUFBOHRER КОНИЧЕСКИЕ СВЁРЛА

| | | Velikost/Size/ Grösse/Размер | Velikost/Size/ Grösse/Размер | Velikost/Size/ Grösse/Размер | Velikost/Size/ Grösse/Размер | Velikost/Size/ Grösse/Размер | | |
|----------|---|---|---|---|---|---|--|--|
| | | 3/7 bit | 3/22 (č. 2A) | 9/22 | 16/30 (č. 3) | 40/60 (č. 6) | | |
| | | 3/14 (č. 1) | 6/20 (č. 2) | 4/30 | 36/50 (č. 5) | | | |
| | | 1/7,8 | | 6/30 (č. L) | 26/40 (č. 4) | | | |
| | | 2/10,2 | | 8/30 | | | | |
| | |  |  |  |  |  | | |
| | | HSS/HSSE | HSS/HSSE | HSS/HSSE | HSS/HSSE | HSS/HSSE | | |
| | | n/min | n/min | n/min | n/min | n/min |  |  |
| P | 1 | 600 - 300 | 400 - 200 | 300 - 100 | 100 - 50 | 60 - 30 | 0,3 - 4 mm | ○ |
| | 2 | 600 - 200 | 400 - 150 | 300 - 90 | 90 - 40 | 50 - 25 | 0,3 - 2 mm | ○ |
| | 3 | 600 - 300 | 400 - 200 | 300 - 100 | 100 - 50 | 60 - 30 | 0,3 - 4 mm | ○ |
| | 4 | 400 - 200 | 300 - 100 | 200 - 70 | 60 - 30 | 40 - 20 | 0,3 - 2 mm | ○ |
| | 5 | | | | | | | |
| | 6 | 400 - 200 | 300 - 100 | 200 - 70 | 60 - 30 | 40 - 20 | 0,3 - 2 mm | ○ |
| | 7 | 400 - 200 | 300 - 100 | 200 - 70 | 60 - 30 | 40 - 20 | 0,3 - 2 mm | ○ |
| M | 1 | | | | | | | |
| | 2 | | | | | | | |
| K | 1 | 400 - 200 | 300 - 100 | 200 - 70 | 60 - 30 | 40 - 20 | 0,3 - 2 mm | ○ |
| | 2 | 400 - 200 | 300 - 100 | 200 - 70 | 60 - 30 | 40 - 20 | 0,3 - 2 mm | ○ |
| | 3 | 400 - 200 | 300 - 100 | 200 - 70 | 60 - 30 | 40 - 20 | 0,3 - 2 mm | ○ |
| N | 1 | 400 - 200 | 300 - 100 | 200 - 70 | 60 - 30 | 40 - 20 | 0,3 - 2 mm | ○ |
| | 2 | 400 - 200 | 300 - 100 | 200 - 70 | 60 - 30 | 40 - 20 | 0,3 - 2 mm | ○ |
| | 3 | 1200 - 700 | 900 - 500 | 600 - 300 | 150 - 80 | 100 - 50 | 0,3 - 6 mm | ○ |
| | 4 | 1200 - 700 | 900 - 500 | 600 - 300 | 150 - 80 | 100 - 50 | 0,3 - 6 mm | ○ |
| | 5 | 1200 - 700 | 900 - 500 | 600 - 300 | 150 - 80 | 100 - 50 | 0,3 - 6 mm | ○ |
| | 6 | 1200 - 700 | 900 - 500 | 600 - 300 | 150 - 80 | 100 - 50 | 0,3 - 6 mm | ○ |
| | 7 | 1500 - 700 | 1000 - 700 | 900 - 500 | 250 - 120 | 150 - 80 | <10 mm | V/O |
| | 8 | 1500 - 700 | 1000 - 700 | 900 - 500 | 250 - 120 | 150 - 80 | <10 mm | V/O |
| S | | | | | | | | |
| H | 1 | | | | | | | |
| | 2 | | | | | | | |
| | 3 | | | | | | | |

○ Omezené použití / Possible use / Geeignet / Ограниченно
● Doporučené použití / Optimal use / Optimal / Оптимально

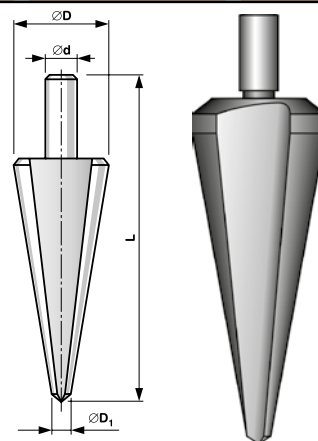
HSS
code 541 XXX

HSSE
code 544 XXX

HSS TiN
code 546 XXX

HSSE TiN
code 596 XXX

Kuželové vrtací trny
Conical peeling drills
Schälbohrer
Конические свёрла



| Velikost/Size/Größe/Размер | D ₁ | D | Ø d | L | code HSS | code HSSE |
|----------------------------|----------------|------|-----|-----|----------|-----------|
| 3/14 (č. 1) | 3,5 | 14 | 6 | 58 | 541 140 | 544 140 |
| 6/20 (č. 2) | 6 | 20 | 8 | 66 | 541 200 | 544 200 |
| 3/22 (č. 2A) | 3,5 | 22,5 | 8 | 72 | 541 225 | 544 225 |
| 9/22 | 9,5 | 22,5 | 10 | 66 | 541 230 | 544 230 |
| 4/30 | 4 | 30 | 10 | 103 | 541 250 | 544 250 |
| 6/30 (L) | 6 | 30 | 10 | 103 | 541 300 | 544 300 |
| 8/30 | 8 | 30 | 10 | 97 | 541 260 | 544 260 |

| Velikost/Size/Größe/Размер | D ₁ | D | Ø d | L | code HSS TiN | code HSSE TiN |
|----------------------------|----------------|------|-----|-----|--------------|---------------|
| 3/14 (č. 1) | 3,5 | 14 | 6 | 58 | 546 140 TiN | 596 140 TiN |
| 6/20 (č. 2) | 6 | 20 | 8 | 66 | 546 200 TiN | 596 200 TiN |
| 3/22 (č. 2A) | 3,5 | 22,5 | 8 | 72 | 546 225 TiN | 596 225 TiN |
| 9/22 | 9,5 | 22,5 | 10 | 66 | 546 230 TiN | 596 230 TiN |
| 4/30 | 4 | 30 | 10 | 103 | 546 250 TiN | 596 250 TiN |
| 6/30 (L) | 6 | 30 | 10 | 103 | 546 300 TiN | 596 300 TiN |
| 8/30 | 8 | 30 | 10 | 97 | 546 260 TiN | 596 260 TiN |



BUČOVICE
TOOLS a.s.

Materiál: HSS; HSSE

Material: HSS; HSSE

Werkstoff: HSS; HSSE

Mamepuan: HSS; HSSE

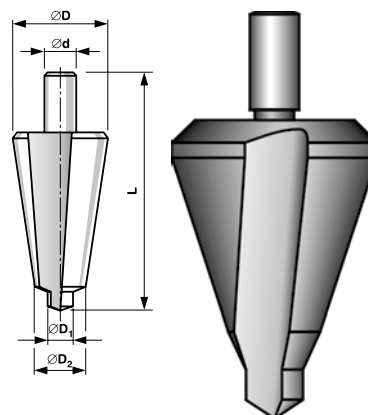
HSS
code 542 XXX

HSSE
code 545 XXX

HSS TiN
code 547 XXX

HSSE TiN
code 597 XXX

Kuželové vrtací trny
Conical peeling drills
Schälbohrer
Конические сверла



Velikost/Size/Größe/Размер

D₂

D

Ø D₁

Ø d

L

code HSS

code HSSE

16/30 (č. 3)
26/40 (č. 4)
36/50 (č. 5)
40/60 (č. 6)

16
26
36
40

30
40
50
61

10
10
14
16

10
12
13
13

75
85
87
100

542 300
542 400
542 500
542 600

545 300
545 400
545 500
545 600

Velikost/Size/Größe/Размер

D₂

D

Ø D₁

Ø d

L

code HSS TiN

code HSSE TiN

16/30 (č. 3)
26/40 (č. 4)
36/50 (č. 5)
40/60 (č. 6)

16
26
36
40

30
40
50
61

10
10
14
16

10
12
13
13

75
85
87
100

547 300 TiN
547 400 TiN
547 500 TiN
547 600 TiN

597 300 TiN
597 400 TiN
597 500 TiN
597 600 TiN

Materiál: HSS; HSSE

Material: HSS; HSSE

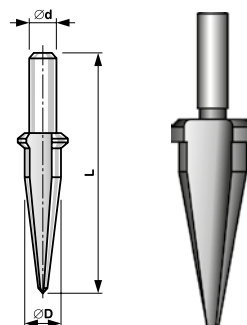
Werkstoff: HSS; HSSE

Mamepuan: HSS; HSSE

HSS
code 543 XXX

HSSE
code 593 XXX

Kuželové vrtací trny
Conical peeling drills
Schälbohrer
Конические сверла



Velikost/Size/Größe/Размер

Ø D

Ø d

L

code HSS

code HSSE

1/7,8
2/10,2

7,8
10,2

6
6

49
53

543 078
543 102

593 078
593 102

Materiál: HSS; HSSE

Material: HSS; HSSE

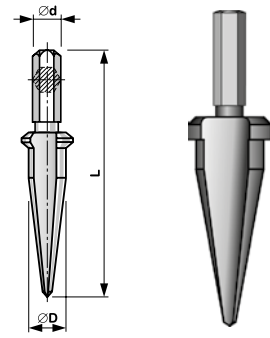
Werkstoff: HSS; HSSE

Mamepuan: HSS; HSSE

 **BUČOVICE**
TOOLS a.s.

HSS
code 540 XXX

Kuželové vrtací trny
- bit
Conical peeling drills
- bits
Schälbohrer - Bits
Конические свёрла
- БИТЫ



| Velikost/Size/Größe/Размер | Ø D | Ø d | L | code |
|----------------------------|------|------|----|---------|
| 3/7 | 3-7 | 1/4" | 40 | 540 070 |
| 3/14 | 3-14 | 1/4" | 58 | 540 140 |
| | | | | |
| | | | | |
| | | | | |
| | | | | |
| | | | | |
| | | | | |

Materiál: HSS

Material: HSS

Werkstoff: HSS

Mamepuan: HSS